

CARDEA

Fine Cast Ironmongery



BJ WALLER
SOLUTIONS FOR JOINERY

Cardea Ironmongery

We are proud to introduce the Cardea range of Ironmongery to our portfolio of Joinery specific hardware.

Available in 6 finishes and designed to allow the homeowner to create complete consistency throughout their property.

Each finish has been created to compliment a diverse range of architectural styles from georgian homes to barn conversions.

All our finishes are suitable for interior and external use.



Contents

2. Cardea

4. Finishes

5. Door Hardware

6. Bulb End Lever (wide multipoint plate)

7. Tapered Lever (traditional backplate)

8. Bulb End Lever (on concealed rose)

9. Thumbturns (release)

10. Cranked Bolts

11. Straight Bolts

12. Centre Door Knob / Door Knocker

13. Letter Plate

14. Rim Cylinder Pull / Euro Cylinder Pull

15. Escutcheons

16. Escutcheons / Auto Door Hook

17. Window Hardware

18. Bulb End Window Espag Handles

19. Monkeytail Window Espag Handles

20. Bulb End Casement Fasteners

21. Bulb End Casement Stays

22. Monkeytail Casement Fasteners

23. Monkeytail Casement Stays

24. Hinges

25. Projects

26. The Factory

27. Contact Us



Sheradised Black



Black iron products are not made like this anymore. Our smooth cast black range is impervious to the elements. Sheradised primed, then painted with a flat black paint, Cardea black Iron products are uniquely durable, produced with stainless steel circlip, springs and fixing screws guaranteeing many years of maintenance free use.

Made from Malleable Iron

White Bronze



Cardea white bronze is a distinct 'living finish' which, will softly patina with use. White bronze metal is a compound of copper, zinc and tin. It is completely non-ferrous and unlike similar looking patina pewter products, possesses an extremely high corrosion resistance, making it the ideal choice of hardware for external doors.

Made from Solid Bronze

Unlacquered Brass



Cardea unlacquered brass ironmongery, when kept polished, sparkles and exudes quality. It's copper to zinc ratio is unique, resulting in a golden hue that passes for "old time brass". When fitted to internal doors & windows it's soft mirrored finish reflects all the colours around. When used externally the furniture will oxidise and tarnish gracefully.

Made from Solid Brass

Polished Nickel



Cardea polished nickel ironmongery exudes warmth not present in polished chrome or stainless steel hardware. This timeless finish will suit either contemporary or traditional projects, adding a touch of class to any room. Our polished nickel finish is plated over brass, meaning maintenance free door & window furniture whether fitted internally or externally.

Made from Solid Brass

Dark Bronze



Cardea dark bronze ironmongery possesses an earthy, almost black like finish. However when handled will, in time, lighten to reveal a soft coppery lustre typically associated with solid bronze sculptures. This "living finish" will create a lived in look without the wait.

Made from Solid Bronze

Satin Nickel



Cardea satin nickel finish has a warm grey tone which is softer than either satin chrome or stainless steel. This durable finish is plated over brass providing each product with a modern look whilst maintaining a traditional style. Satin nickel finish is a preferred choice for architects as it compliments many different door & window designs.

Made from Solid Brass

Door Hardware

Multi-Point Lock Furniture

Levers on Roses

Front Door Furniture

Bolts

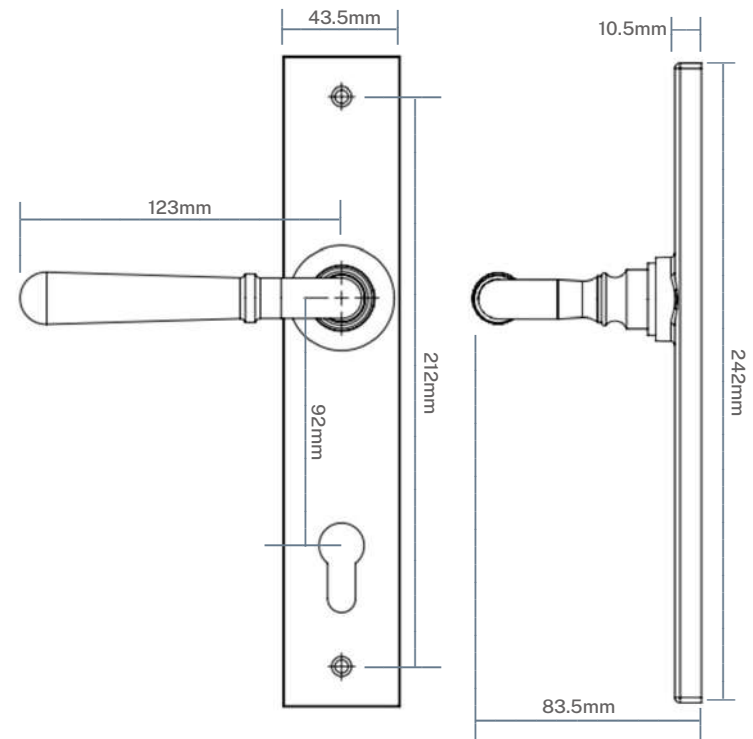
Thumbturns

Catches



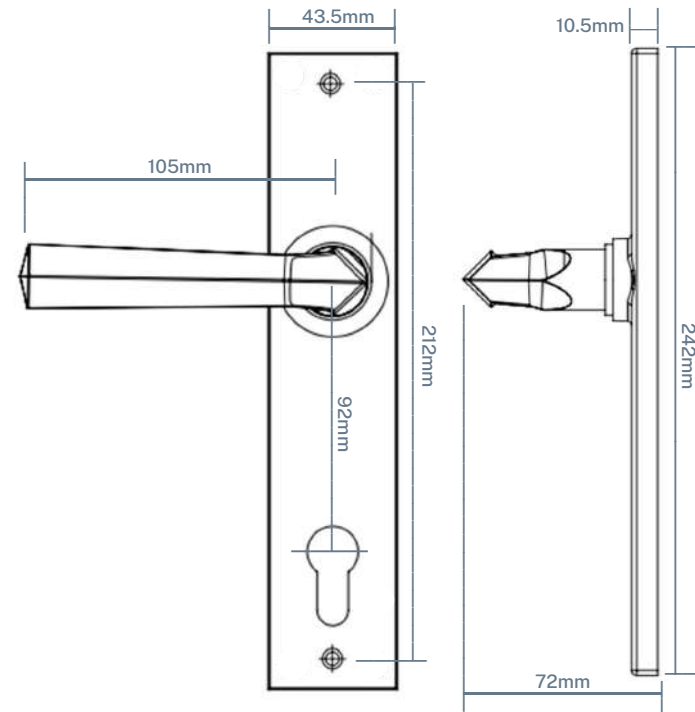
Bulb End Multi-point Door Furniture (wide plate)

Code	Finish	Product Information
ESP156SB	Sheradised Black	<ul style="list-style-type: none"> ● Bolt through fixing from internal side for added security. ● Standard fixings and centres to suit modern locks. ● Supplied as a pair. ● Wide backplate to suit traditional timber doors. ● Fitted with spring cassette for upward locking operation. ● Supplied with two split spindles (8mm).
ESP157WB	White Bronze	
ESP157DB	Dark Bronze	
ESP157PN	Polished Nickel	
ESP157UNL	Unlacquered Brass	
ESP157SN	Satin Nickel	



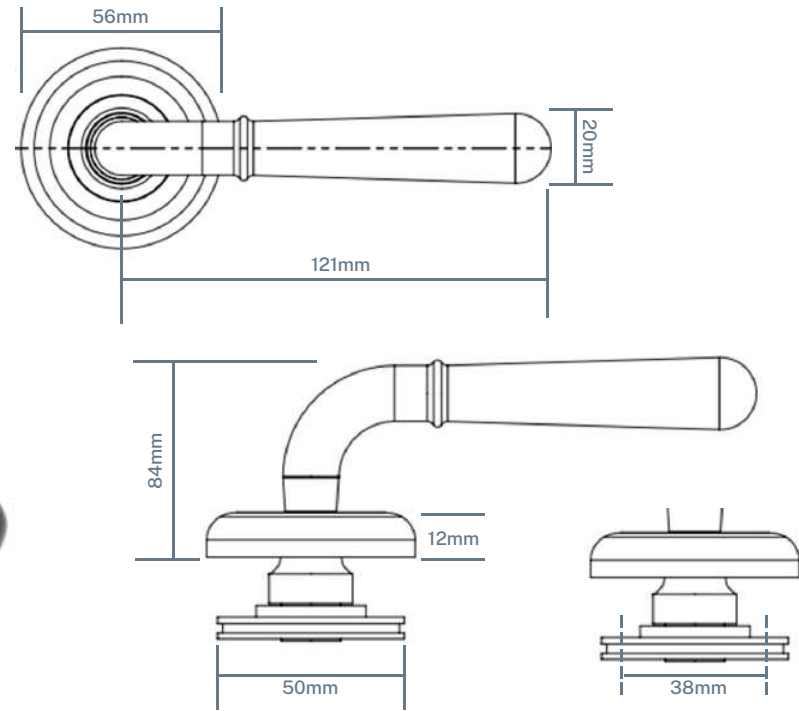
Tapered Multi-point Door Furniture (wide plate)

Code	Finish	Product Information
ESP158SB	Sheradised Black	<ul style="list-style-type: none"> ● Bolt through fixing from internal side for added security. ● Standard fixings and centres to suit modern locks. ● Supplied as a pair. ● Wide backplate to suit traditional timber doors. ● Fitted with spring cassette for upward locking operation. ● Supplied with two split spindles (8mm).
ESP159WB	White Bronze	
ESP159DB	Dark Bronze	
ESP159PN	Polished Nickel	
ESP159UNL	Unlacquered Brass	
ESP159SN	Satin Nickel	



Bulb End Lever on Rose

Code	Finish	Product Information
BI236DSB	Sheradised Black	<ul style="list-style-type: none"> ● Fitted with integral spring system. ● Supplied as a pair of levers and a pair of roses. ● Bolt through hole centres (38mm). ● An 8mm split spindle / grub screw / allen key supplied. ● Suitable for internal and external doors. ● Can be used with standard locks, euro locks and latches.
AT284DWB	White Bronze	
AT284DDB	Dark Bronze	
AT284DPN	Polished Nickel	
AT284DUNL	Unlacquered Brass	
AT284DSN	Satin Nickel	



Thumbturn & Release

Code	Finish
BI511SB	Sheradised Black
BT039WB	White Bronze
BT039DB	Dark Bronze
BT039PN	Polished Nickel
BT039UNL	Unlacquered Brass
BT039SN	Satin Nickel



5 years

5 years

Tested with accoya

Finish

Parts

Product Information

- Works with bathroom mortice lock or stand alone tubular deadbolt.
- Maximum door thickness 47mm thickness.
- Supplied with finish matched stainless steel screws.
- Supplied as a set.

Thumbturn (only)

Code	Finish
BI496SB	Sheradised Black
BT042WB	White Bronze
BT042DB	Dark Bronze
BT042PN	Polished Nickel
BT042UNL	Unlacquered Brass
BT042SN	Satin Nickel



5 years

5 years

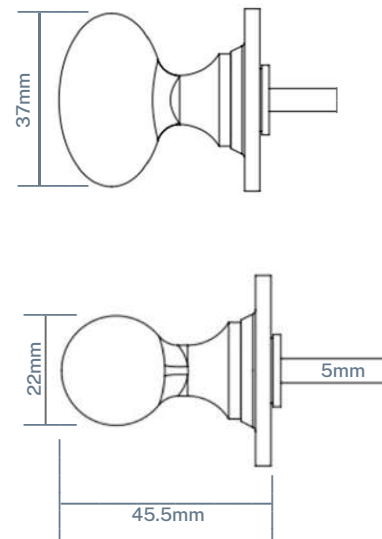
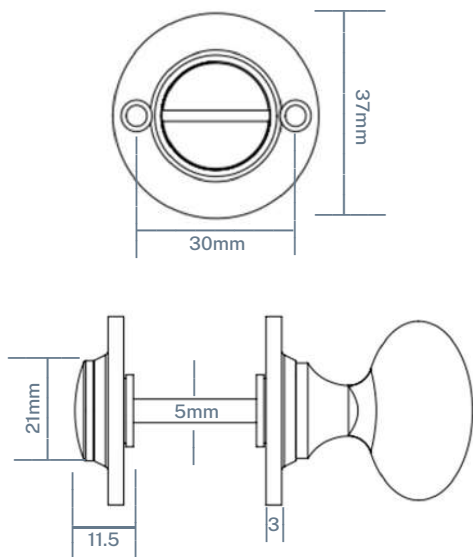
Tested with accoya

Finish

Parts

Product Information

- To be used with tubular deadbolt (internally fitted).
- Ideal for stable door systems.
- Supplied with finish matched stainless steel screws.
- Supplied as thumbturn only with 5mm spindle.



Cranked Bolts

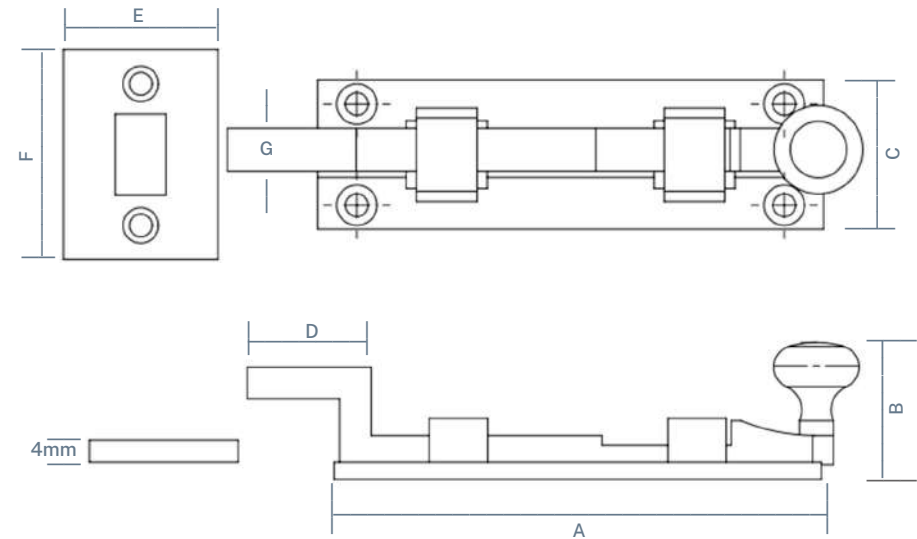
Size	Sheradised Black	White Bronze	Dark Bronze	Polished Nickel	Unlacquered Brass	Satin Nickel
101mm (4")	BI485SB	BT121WB	BT121DB	BT121PN	BT121UNL	BT121SN
152mm (6")	BI487SB	BT123WB	BT123DB	BT123PN	BT123UNL	BT123SN
203mm (8")	BI489SB	BT125WB	BT125DB	BT125PN	BT125UNL	BT125SN
						



Product Information

- Ball bearing spring system to maintain a positive engagement.
- Supplied with finish matched stainless steel screws.
- Can be used horizontally and vertically.
- Supplied with receiver plate.

Size	A	B	C	D	E	F	G
101mm (4")	100mm	28mm	29.5mm	25mm	24mm	32mm	8.5mm
152mm (6")	150mm	32mm	29.5mm	25mm	31.5mm	43.5mm	11mm
203mm (8")	200mm	28mm	41mm	25mm	31.5mm	43.5mm	11mm



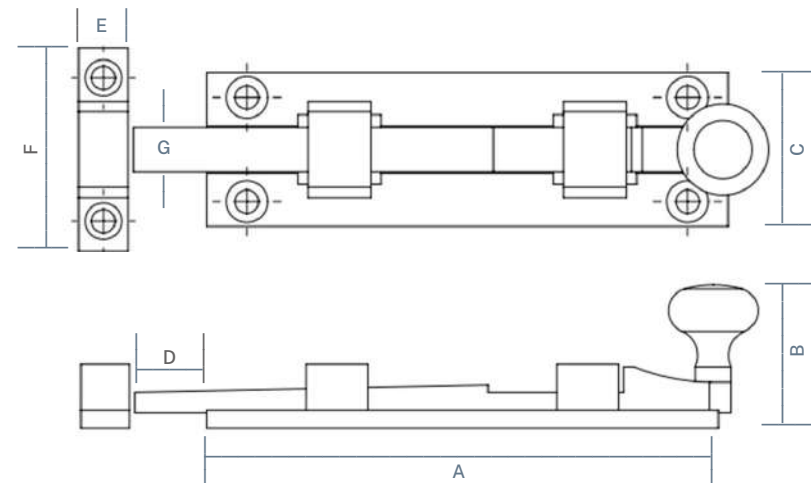
Straight Bolts

Size	Sheradised Black	White Bronze	Dark Bronze	Polished Nickel	Unlacquered Brass	Satin Nickel
101mm (4")	BI484SB	BT120WB	BT120DB	BT120PN	BT120UNL	BT120SN
152mm (6")	BI486SB	BT122WB	BT122DB	BT122PN	BT122UNL	BT122SN
203mm (8")	BI488SB	BT124WB	BT124DB	BT124PN	BT124UNL	BT124SN



- ### Product Information
- Ball bearing spring system to maintain a positive engagement.
 - Supplied with finish matched stainless steel screws.
 - Can be used horizontally and vertically.
 - Supplied with receiver bridge.

Size	A	B	C	D	E	F	G
101mm (4")	100mm	28mm	29.5mm	25mm	9.5mm	39mm	8.5mm
152mm (6")	150mm	25mm	29.5mm	25mm	10mm	45mm	11mm
203mm (8")	200mm	34.5mm	41mm	25mm	10mm	45mm	11mm



Centre Door Knob

Code	Finish
BI596SB	Sheradised Black
AU004WB	White Bronze
AU004DB	Dark Bronze
AU004PN	Polished Nickel
AU004UNL	Unlacquered Brass
AU004SN	Satin Nickel



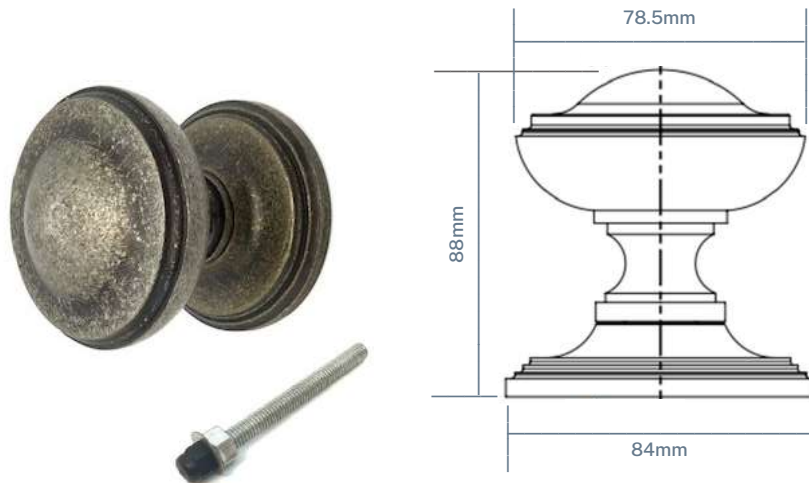
5 years
Finish

5 years
Parts

Tested with accoya

Product Information

- See Finish page to see material guide.
- Supplied with fixing bolt to go through full thickness of door (M10 x 90mm).
- Location pin on rose to stop any unwanted rotation.
- Rose and knob comes supplied in 2 parts.



Door Knocker

Code	Finish
BI594SB	Sheradised Black
AX003WB	White Bronze
AX003DB	Dark Bronze
AX003PN	Polished Nickel
AX003UNL	Unlacquered Brass
AX003SN	Satin Nickel



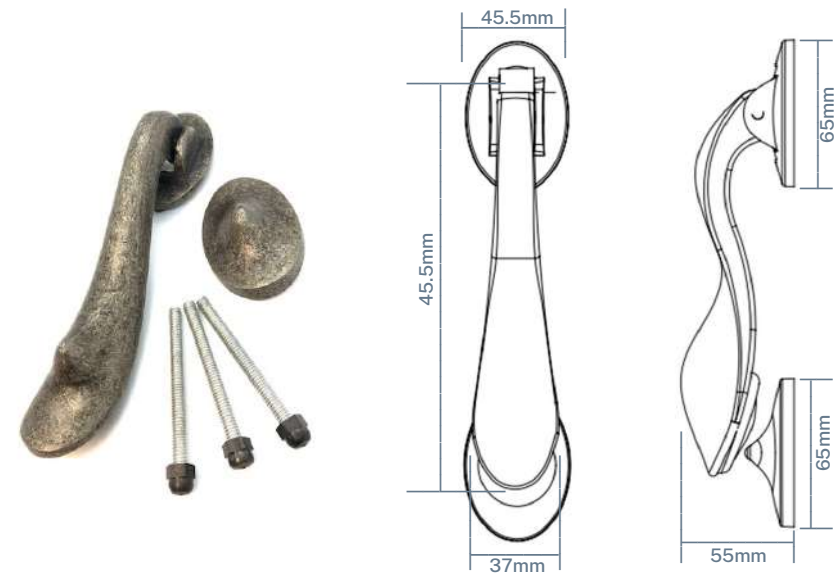
5 years
Finish

5 years
Parts

Tested with accoya

Product Information

- See Finish page to see material guide.
- Supplied with fixing bolts x 3.
- Attached to door by way of bolt through fixing.
- Bolt end caps are finished the same as the knocker.



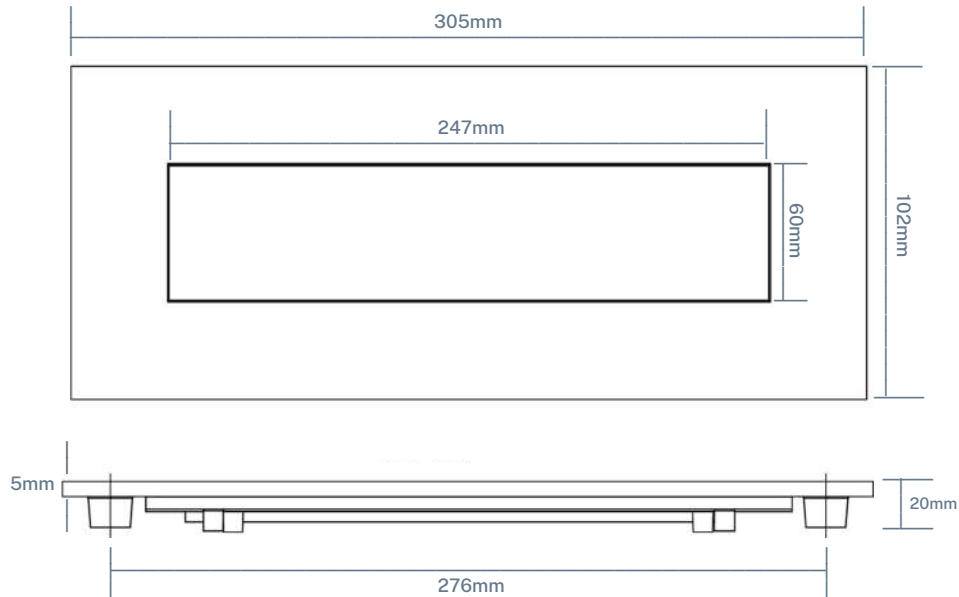
Letter Plate

Code	Finish
BI277SB	Sheradised Black
AR429WB	White Bronze
AR429DB	Dark Bronze
AR429PN	Polished Nickel
AR429UNL	Unlacquered Brass
AR429SN	Satin Nickel



Product Information

- Fixing bolts supplied with matching finish heads.
- Integrally sprung flap for precise closing.
- Fixing lugs have increased clearance giving extra timber strength.



Cylinder Pull

Code	Finish
BI089SB	Sheradised Black
AU025WB	White Bronze
AU025DB	Dark Bronze
AU025PN	Polished Nickel
AU025UNL	Unlacquered Brass
AU025SN	Satin Nickel



Tested with accoya



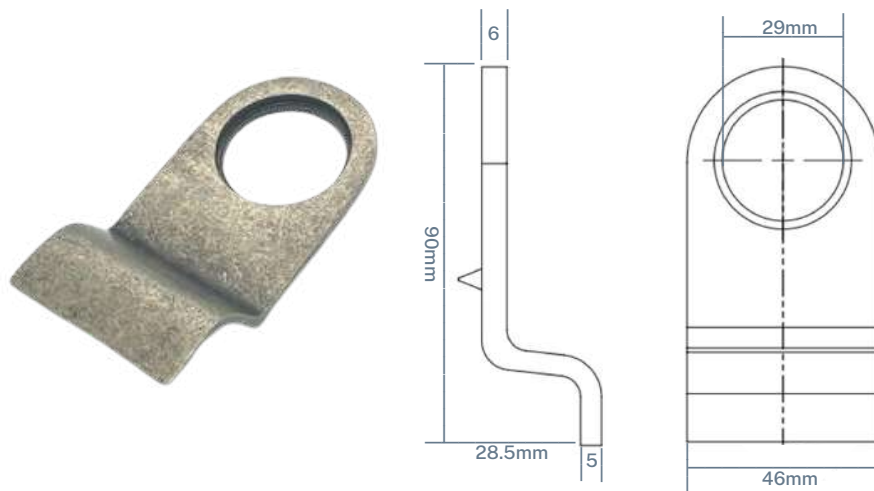
5 years Finish



5 years Parts

Product Information

- Held in place with Rim cylinder (sold separately)
- Includes a location spike to stop any rotation
- Used in conjunction with a night latch
- Rim pull diameter suitable for standard rim cylinders



Euro Cylinder Pull

Code	Finish
BI902SB	Sheradised Black
AU024WB	White Bronze
AU024DB	Dark Bronze
AU024PN	Polished Nickel
AU024UNL	Unlacquered Brass
AU024SN	Satin Nickel



Tested with accoya



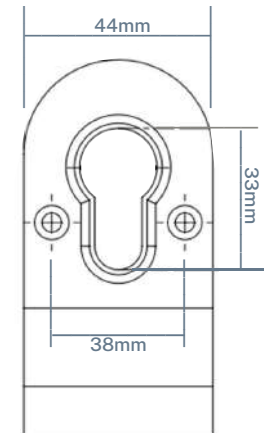
5 years Finish



5 years Parts

Product Information

- Supplied with finish matched stainless steel screws.
- Narrow width to suit a number of door styles.
- Suitable for door thickness up to 68mm.
- Supplied as a pair with fixing bolts.



Euro Escutcheon (round)

Code	Finish
BI317SB	Sheradised Black
AA190WB	White Bronze
AA190DB	Dark Bronze
AA190PN	Polished Nickel
AA190UNL	Unlacquered Brass
AA190SN	Satin Nickel



5 years

5 years

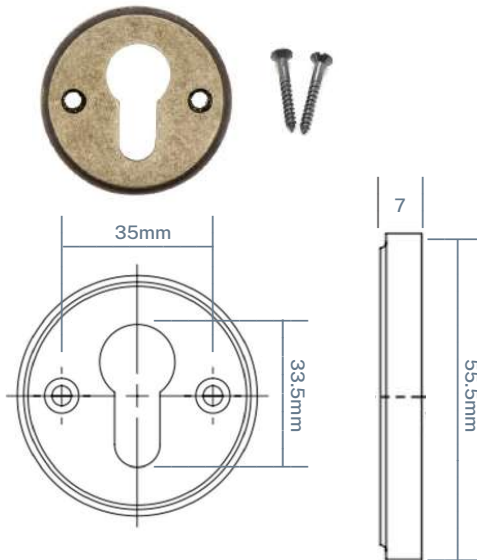
Tested with accoya

Finish

Parts

Product Information

- Supplied as a single item.
- To suit a standard euro profile cylinder.
- Supplied with matching stainless steel screws.
- This item is face fixed.



Euro Escutcheon (on rose)

Code	Finish
BI309SB	Sheradised Black
AA043WB	White Bronze
AA043DB	Dark Bronze
AA043PN	Polished Nickel
AA043UNL	Unlacquered Brass
AA043SN	Satin Nickel



5 years

5 years

Tested with accoya

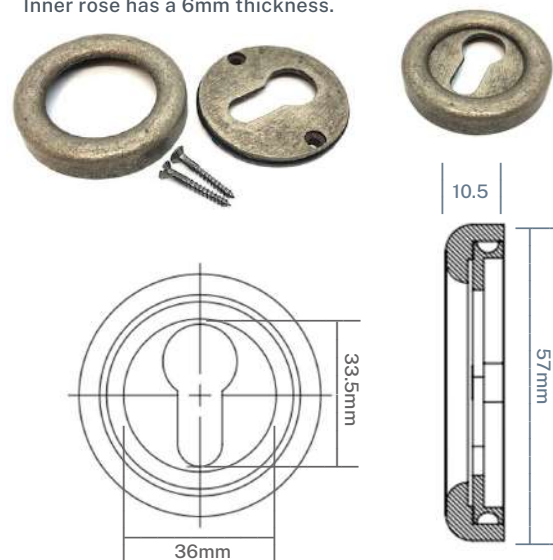
Finish

Parts

Product Information

- Supplied as a single item.
- To suit a standard euro profile cylinder.
- Supplied with fixing bolts.
- Comes complete with rose for concealed fixing.

Inner rose has a 6mm thickness.



Euro Escutcheon (rectangle)

Code	Finish
BI302SB	Sheradised Black
AA047WB	White Bronze
AA047DB	Dark Bronze
AA047PN	Polished Nickel
AA047UNL	Unlacquered Brass
AA047SN	Satin Nickel



5 years

5 years

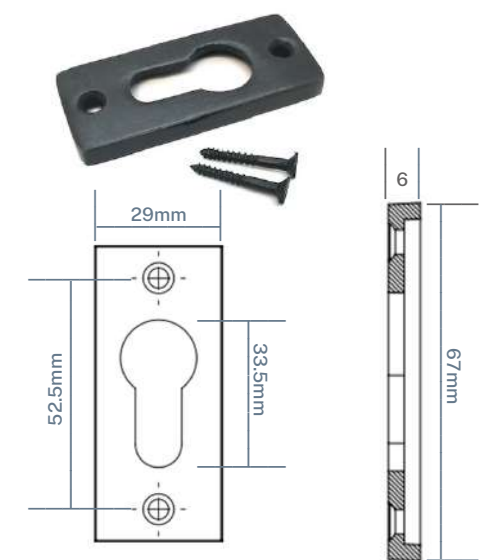
Tested with accoya

Finish

Parts

Product Information

- Supplied as a single item.
- To suit a standard euro profile cylinder.
- Supplied with matching stainless steel screws.
- This item is face fixed.



Keyhole (round)

Code	Finish
BI314SB	Sheradised Black
AA193WB	White Bronze
AA193DB	Dark Bronze
AA193PN	Polished Nickel
AA193UNL	Unlacquered Brass
AA193SN	Satin Nickel



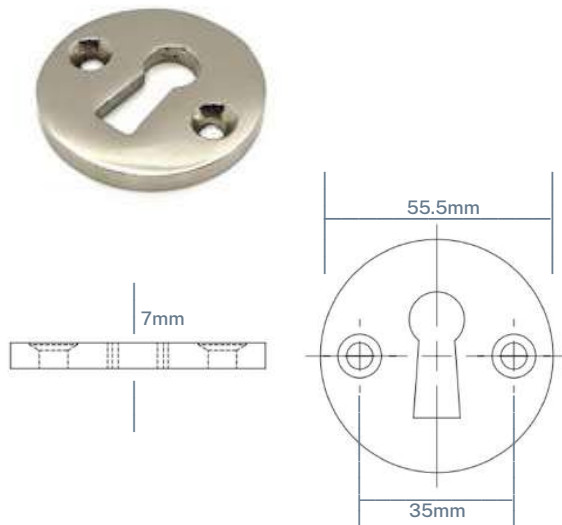
5 years
Finish

5 years
Parts

Tested with accoya

Product Information

- Supplied as a single item.
- To be used in conjunction with sash or dead lock.
- Supplied with matching stainless steel screws.
- This item is face fixed.



Keyhole (covered)

Code	Finish
BI315SB	Sheradised Black
AA194WB	White Bronze
AA194DB	Dark Bronze
AA194PN	Polished Nickel
AA194UNL	Unlacquered Brass
AA194SN	Satin Nickel



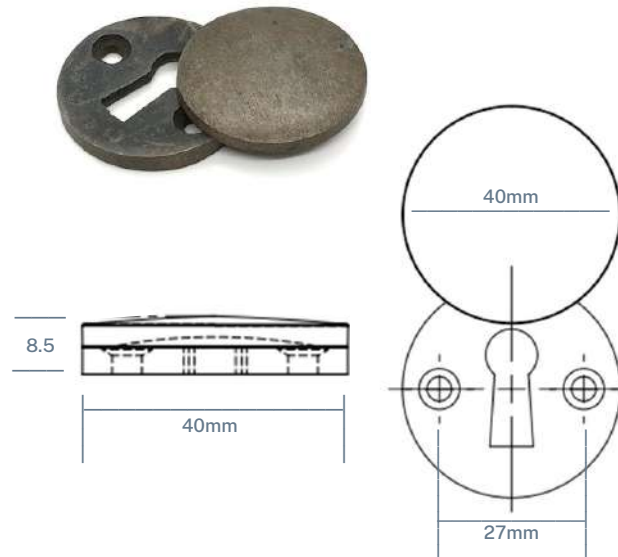
5 years
Finish

5 years
Parts

Tested with accoya

Product Information

- Supplied as a single item.
- To be used in conjunction with sash or dead lock.
- Supplied with matching stainless steel screws.
- This item is face fixed.



Auto Door Hook

Code	Finish
BI456SB	Sheradised Black
AA153WB	White Bronze
AA153DB	Dark Bronze
AA153PN	Polished Nickel
AA153UNL	Unlacquered Brass
AA153SN	Satin Nickel



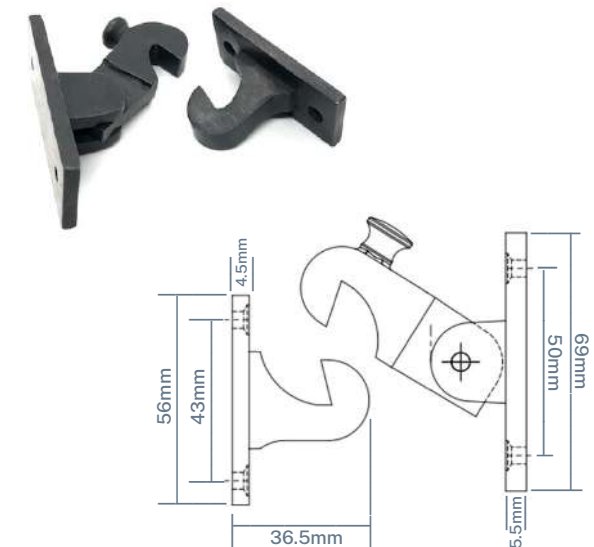
5 years
Finish

5 years
Parts

Tested with accoya

Product Information

- Supplied as a single item.
- Auto locking system with lift up release.
- Supplied with matching stainless steel screws.
- Hook plate on wall - catch on door.



Window Hardware

Window Espag Handles

Casement Fasteners

Casement Stays

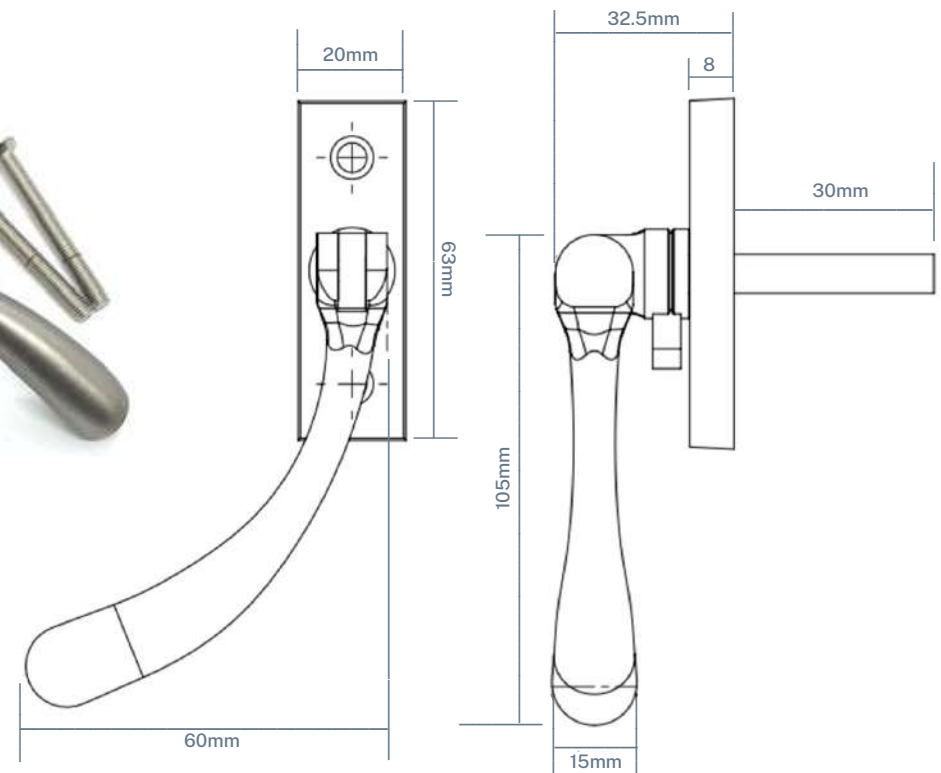


Bulb End Window Espag Handles

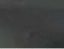




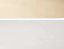
Left Hand	Right Hand	Finish		Features
ESP231SB	ESP232SB	Sheradised Black		
ESP229WB	ESP230WB	White Bronze		
ESP229DB	ESP230DB	Dark Bronze		
ESP229PN	ESP230PN	Polished Nickel		
ESP229UNL	ESP230UNL	Unlacquered Brass		
ESP229SN	ESP230SN	Satin Nickel		



Spindles supplied 30mm long for timber windows, eliminating the need to cut down.



Monkeytail Window Espag Handles

Left Hand	Right Hand	Finish		Features
ESP235SB	ESP236SB	Sheradised Black		
ESP233WB	ESP234WB	White Bronze		
ESP233DB	ESP234DB	Dark Bronze		
ESP233PN	ESP234PN	Polished Nickel		
ESP233UNL	ESP234UNL	Unlacquered Brass		
ESP233SN	ESP234SN	Satin Nickel		

- Lockable by way of grub screw with key provided.
- Supplied with 7mm x 30mm square spindle.
- Supplied as a single unit.
- Suitable for weather-sealed windows.
- Suitable for all modern espagnolette locking systems.
- Supplied with M5 bolts which can be cut to size.

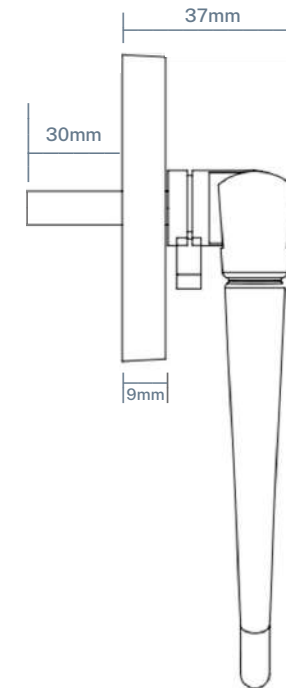
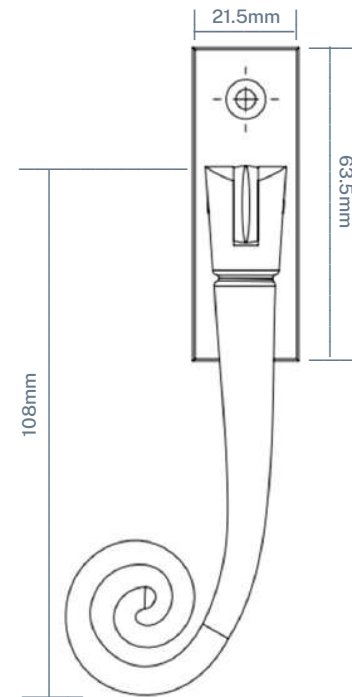


5 years
Finish

5 years
Parts

Tested with accoya

Spindles supplied 30mm long for timber windows, eliminating the need to cut down



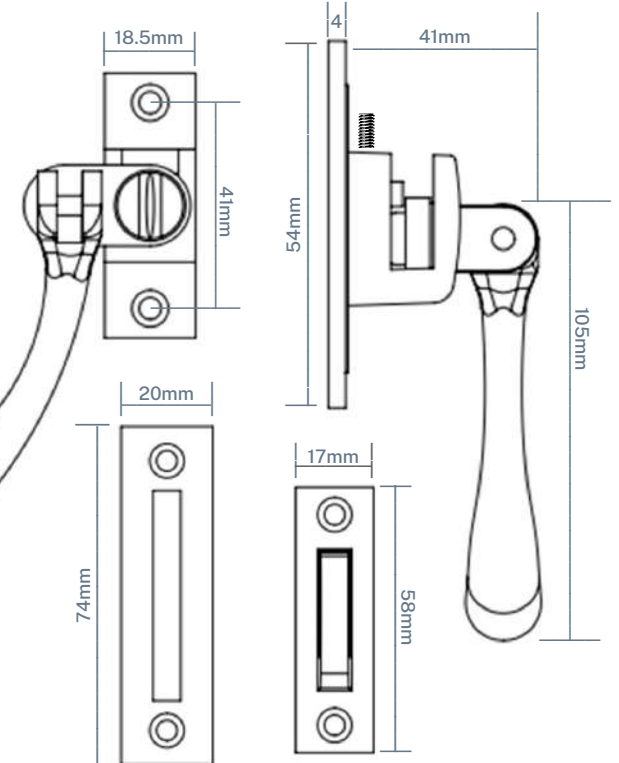
Bulb End Weatherseal Casement Fasteners

Code	Finish	Features
BI408SB/L	Sheradised Black	<ul style="list-style-type: none"> ● Lockable by way of grub screw with key provided. ● Supplied with both mortice plate and hook plate. ● Supplied as a single unit. ● Suitable for weather-sealed windows. ● Reversible design for both left and right hand options. ● Supplied with finish matched stainless steel screws.
AC164WB/L	White Bronze	
AC164DB/L	Dark Bronze	
AC164PN/L	Polished Nickel	
AC164UNL/L	Unlacquered Brass	
AC164SN/L	Satin Nickel	



5 years
Finish

5 years
Parts



Bulb End Casement Stays

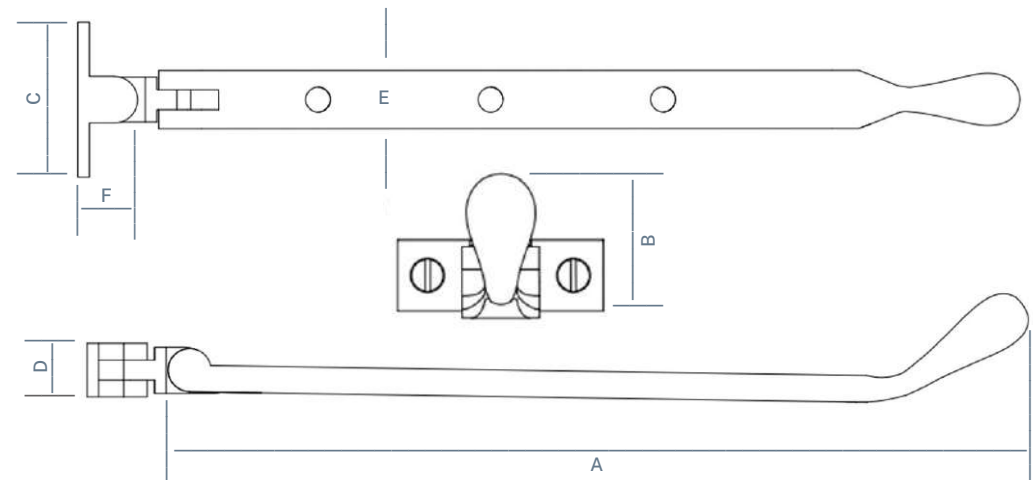
Size	Sheradised Black	White Bronze	Dark Bronze	Polished Nickel	Unlacquered Brass	Satin Nickel
197mm (8")	BI432SB	AC160WB	AC160DB	AC160PN	AC160UNL	AC160SN
252mm (10")	BI420SB	AC161WB	AC161DB	AC161PN	AC161UNL	AC161SN
305mm (12")	BI421SB	AC162WB	AC162DB	AC162PN	AC162UNL	AC162SN
						



Product Information

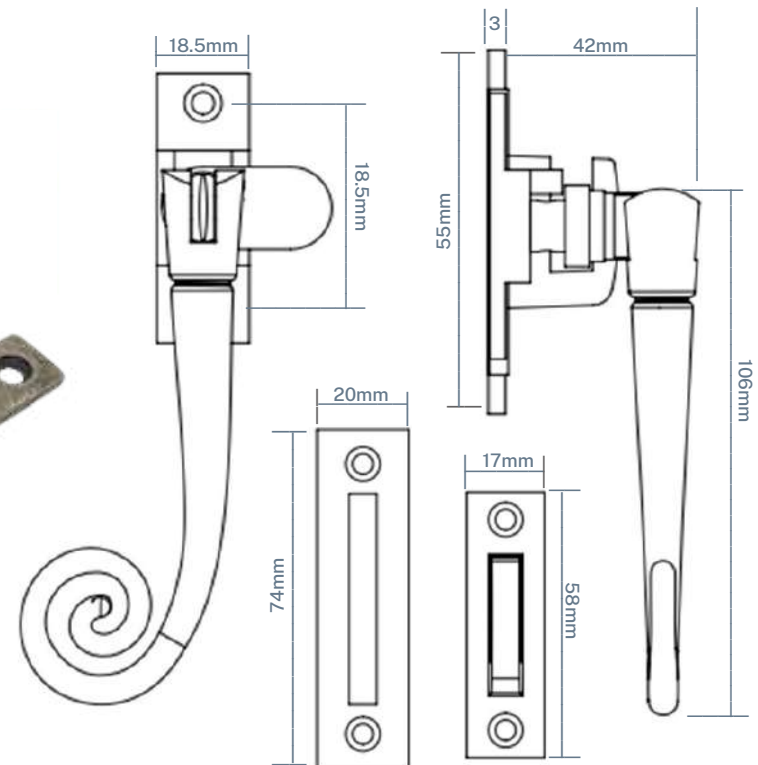
- Narrow fixing plate for use on slim profile windows.
- Supplied with standard stay pins.
- Designed to match bulb end fasteners and espag handles.
- Supplied with matching stainless steel screws.

Size	A	B	C	D	E	F
197mm (8")	203mm	31mm	46.5mm	16mm	17.5mm	18mm
252mm (10")	254mm	31mm	46.5mm	16mm	17.5mm	18mm
305mm (12")	305mm	31mm	46.5mm	16mm	17.5mm	18mm



Monkeytail Weatherseal Casement Fasteners

Code	Finish	Features
BI428SB/L	Sheradised Black	<ul style="list-style-type: none"> ● Lockable by way of grub screw with key provided. ● Supplied with both Mortice plate and hook plate. ● Supplied as a single unit. ● Suitable for weather-sealed windows. ● Reversible design for both left and right hand options. ● Supplied with finish matched stainless steel screws.
AC149WB/L	White Bronze	
AC149DB/L	Dark Bronze	
AC149PN/L	Polished Nickel	
AC149UNL/L	Unlacquered Brass	
AC149SN/L	Satin Nickel	



Monkeytail Casement Stays

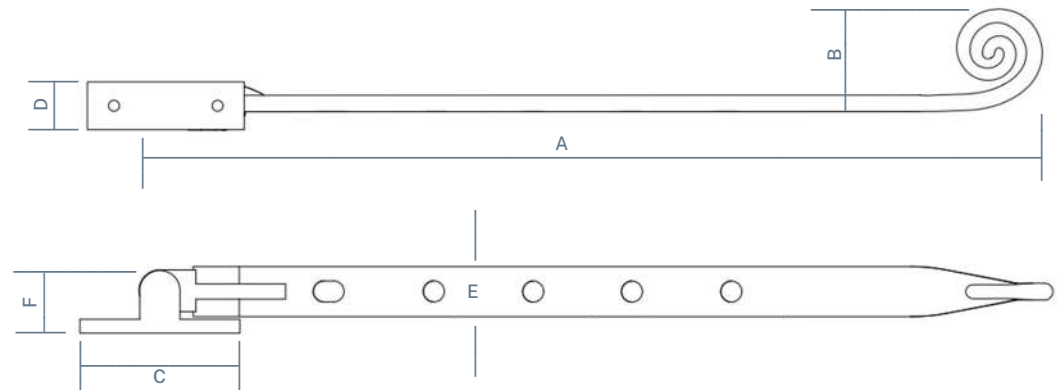
Size	Sheradised Black	White Bronze	Dark Bronze	Polished Nickel	Unlacquered Brass	Satin Nickel
203mm (8")	BI427SB	AC134WB	AC134DB	AC134PN	AC134UNL	AC134SN
254mm (10")	BI426SB	AC132WB	AC132DB	AC132PN	AC132UNL	AC132SN
305mm (12")	BI425SB	AC133WB	AC133DB	AC133PN	AC133UNL	AC133SN
						



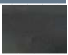





Product Information

- Narrow fixing plate for use on slim profile windows.
- Supplied with standard stay pins.
- Designed to match monkeytail fasteners and espag handles.
- Supplied with matching stainless steel screws.

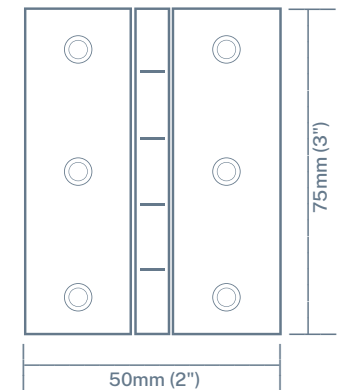
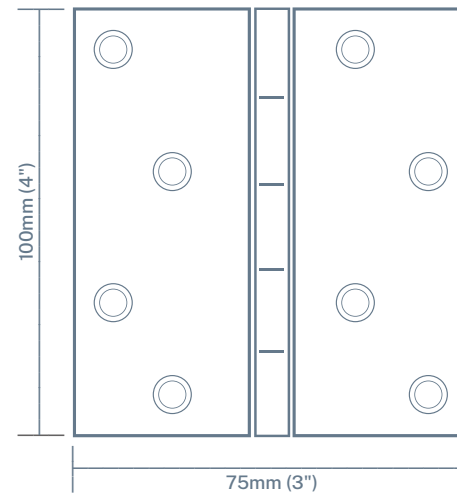
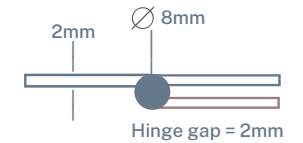
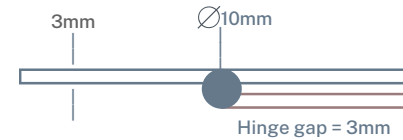
Size	A	B	C	D	E	F
203mm (8")	203mm	40mm	46.5mm	16mm	17.5mm	18mm
254mm (10")	254mm	40mm	46.5mm	16mm	17.5mm <td 18mm	
305mm (12")	305mm	40mm	46.5mm	16mm	17.5mm	18mm



Hinges

3" x 2"	4" x 3"	Finish		Features
A5500SB	A5502SB	Sheradised Black		
A5500WB	A5502WB	White Bronze		
A5500DB	A5502DB	Dark Bronze		
A5500PN	A5502PN	Polished Nickel		
A5500UNL	A5502UNL	Unlacquered Brass		
A5500SN	A5502SN	Satin Nickel		

- Supplied with matching finish SS wood screws.
- Made from solid brass.
- Fitted with phosphor bronze washers.
- Finished to match Cardea hardware.
- Supplied as a pair.
- Maintenance free.



Projects



The Factory

Tooling & Pattern Making

We have a dedicated team of tool and pattern makers creating lost wax + metal tooling.

Using the latest 3D design software and printers, we are able to create all our designs in-house.

Casting

We have the very latest Sand & Gravity casting facility which utilizes a number of automated procedures helping us to create exceptionally accurate copies of our master patterns.

Forging

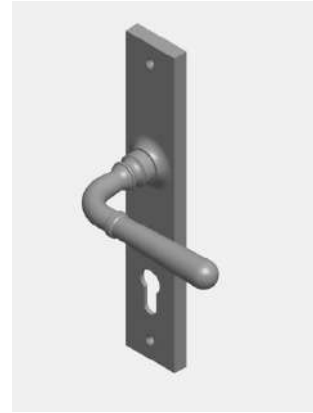
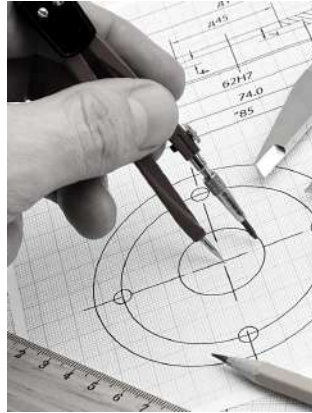
Our Forging operation uses metal tooling which again is created within the factory. This tooling produces incredibly accurate forgings which are formed under 200 tons of pressure.

Machining

Milling Machines - Linishing Machines - Grinding Machines - CNC Turning - Drilling Machines - Tapping Machines - Threading Machines - Welding Machines.

Finishing

Shot Blasting - Vibro Finishing Machines - Buffing Machines - Electroplating - PVD Coatings - Phosphating - Patination - Spray Lacquering.



SALES & SUPPORT.

BJ Waller Ltd

Head Office & Warehouse
20 Wilburton Road,
Stretham,
Nr Ely,
Cambridgeshire,
CB6 3LN
Office: (0)1353 647111
Email: sales@bjwaller.co.uk



Luke Piper (1)

North Of England, Scotland & Ireland
Contact: Luke Piper
Managing Director
Mobile: (0)7711 335751
luke@bjwaller.co.uk

Mark Lord (2)

Midlands
Contact: Mark Lord
Sales Executive
Mobile: (0)7845 603213
mark@bjwaller.co.uk

Adrian Bailey (3)

South West & Wales
Contact: Adrian Bailey
Technical Sales Representative
Mobile: (0)7985 746468
adrian@bjwaller.co.uk

Ian Smith (4)

South East
Contact: Ian Smith
Sales & Design Consultant
Mobile: (0)7498 781438
ian@bjwaller.co.uk



BJ WALLER
SOLUTIONS FOR JOINERY

Head Office & Warehouse
20 Wilburton Road,
Stretham,
Nr Ely,
Cambridgeshire,
CB6 3LN
Office: (0)1353 647111
Email: sales@bjwaller.co.uk

www.bjwaller.co.uk