

LIGNUM

superior timber
windows & doors

Single Door (Open Out)

Lignum timber entrance doors are available to open either outward or inwards.

This outward opening version is a popular option where there is limited space to open inwards, when used for mobility access or for rear doors.

The Document Q compliant door is energy efficient and highly secure. The door design is very flexible, allowing

for various glass and solid panel combinations. This makes it easy to produce almost any style of door.

The system is part of a registered Secured by Design scheme.

For wide entrances see the Lignum Double Door option.



accoya 
Passed PAS 24:2022



PAS 24:2022
Security



0.9 - 1.4W/m²K
U-Value



Document L
Compliant



Document M
Compliant



Document Q
Compliant



BS6375-1,
2 & 3



Accoya Passed PAS
24:2022 Class D



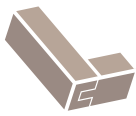
Double, Triple or
Vacuum Glazing

Specification

Outer Frame Options	Head & Jambs: 57mm x 93mm Head & Jambs: 68mm x 93mm Head & Jambs: 90mm x 93mm Cill: 68mm/90mm x 93mm (Standard) Transom & Mullion: 68mm x 93mm
Sash	Top Rail and Stiles: 94mm x 57mm (PAS 24:2022) Bottom Rail: 185mm x 57mm
Sash Profile	Ovolo or Lambs Tongue
Cill Extension Options	Standard, 35mm, 60mm or 85mm
Glazing	24mm Low E sealed unit (4mm/16mm/4mm) obscure, sound control, toughened and laminated options available Argon filled cavity Outer perimeter has standard warm edge spacer (black) optional white Security bead glazing system Additional glazing units include 12mm and 14mm options - not PAS 24 tested Curved glass and units with less than 14mm cavity will have aluminium spacer in place of warm edge spacer
Trickle Vent	Concealed trickle vent through head 4600EA

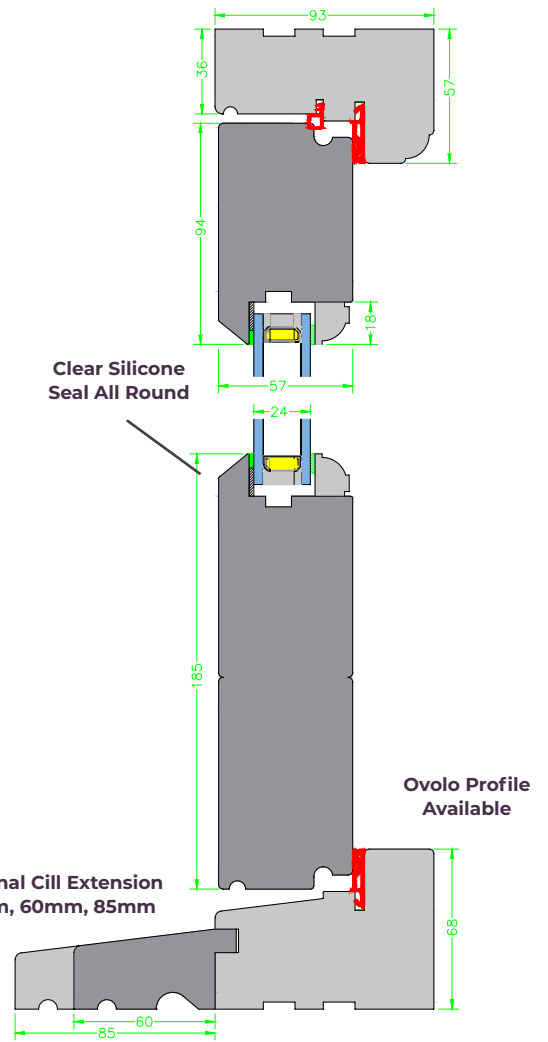
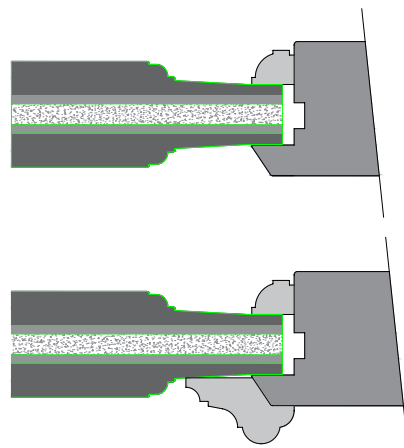
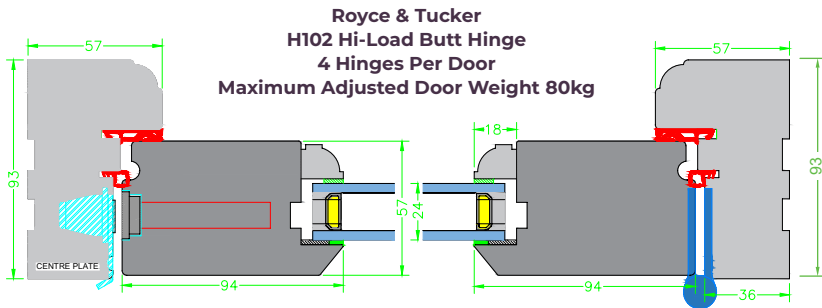
Hardware/Fittings

Hardware	Butt hinges fixed pin, multipoint Thunderbolt locking system 3 star security cylinder
Handles	Lever handles, finishes on request
Trickle Vent	Can be fitted through frame head (Head Drip)
Test Data	
BS6375 Part 1	Air Permeability Class 4, Watertightness Class 6A Resistance to Wind Load Class C5
BS6375 Part 2	Operational strength testing - 30,000 cycles windows - Passed
BS6375 Part 3	3 Additional performance characteristics - Passed
Acoustic Rating	RW(C,Ctr) = 36 (-2,6) db (With Sound Control Glass)
Thermal Rating	U-Value 1.4W/m ² K Double Glazed
Security	PAS 24:2022 Class D Timber density of 450 to 530 softwood Secured by Design System



LIGNUM
superior timber
windows & doors

Single Door (Open Out)



DUE TO CONTINUED DEVELOPMENT THE JOINERY NETWORK RESERVE THE RIGHT TO MODIFY OR CHANGE SPECIFICATIONS WITHOUT PRIOR NOTICE. THIS DRAWING & SPECIFICATIONS ARE THE PROPERTY OF THE JOINERY NETWORK. THEY ARE ISSUED IN STRICT CONFIDENCE AND SHALL NOT BE REPRODUCED, COPIED OR USED AS THE BASIS FOR MANUFACTURING WITHOUT WRITTEN PERMISSION. ALL MEASUREMENTS ARE FINISHED DIMENSIONS IN MM. DO NOT SCALE DRAWING!

Design Features

- Secured by Design System
- Tested to PAS 24:2022
- Winkhaus Thunderbolt Multipoint Locking
- Internally Beaded for easy installation
- Deventer superior double weatherseals
- Hi load butt hinges
- Thermally enhanced door panels
- Fully suited window & door system

Design Options

- Lambs Tongue or Ovolo sash profile
- 57mm or 68mm wide outerframe
- Slim outerframe and sash options
- Heritage slim-glass unit bead option



The Joinery Network
is authorised as a
system house by
Secured by Design

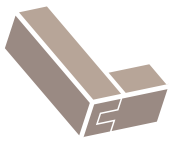


Backing Timber Window & Door Manufacturers

The Joinery Network, 2 Jubilee Parkway, Jubilee Business Park, Derby, DE21 4BJ

hello@thejoinerynetwork.co.uk | www.thejoinerynetwork.co.uk | 033 33 44 98 95

The Joinery Network



LIGNUM

superior timber
windows & doors

Single Door (Open In)

Lignum timber entrance doors are available to open either outward or inwards.

The Document Q compliant door is energy efficient and features high security multipoint locking.

The flexible inward opening design is suitable for main entrance, side or rear doors. It allows for various glass and solid panel combinations. This makes

it easy to produce almost any style of door.

The system is part of a registered Secured by Design scheme.

For wide entrances see the Lignum Double Door option.



accoya 
Passed PAS 24:2022



PAS 24:2022
Security



0.9 - 1.4W/m²K
U-Value



Document L
Compliant



Document M
Compliant



Document Q
Compliant



BS6375-1,
2 & 3



Accoya Passed PAS
24:2022 Class D



Double, Triple or
Vacuum Glazing

Specification

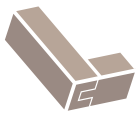
Outer Frame Options	Head & Jambs: 57mm x 93mm Head & Jambs: 68mm x 93mm Head & Jambs: 90mm x 93mm Cill: 68mm/90mm x 93mm (Standard) Transom & Mullion: 68mm x 93mm
Sash	Top Rail and Stiles: 94mm x 57mm (PAS 24:2022) Bottom Rail: 185mm x 57mm
Sash Profile	Ovolo or Lambs Tongue
Cill Extension Options	Standard, 60mm or 85mm
Glazing	24mm Low E sealed unit (4mm/16mm/4mm) Obscure, sound control, toughened and laminated options available Argon filled cavity, Outer perimeter has standard warm edge spacer (black) optional white Security bead glazing system Additional glazing units include 12mm and 14mm options - not PAS 24 tested Curved glass and units with less than 14mm cavity will have aluminium spacer in place of warm edge spacer
Trickle Vent	Concealed trickle vent through head 4600EA

Hardware/Fittings

Hardware	Sash catch, sash lifts, sash restrictors and barrel security lock 2 sash catches fitted if frames are PAS 24 security
Handles	Polished Chrome, Satin Chrome, Antique Brass, Oil Rubbed Bronze or Brass Finish
Trickle Vent	Can be fitted through head (Concealed)

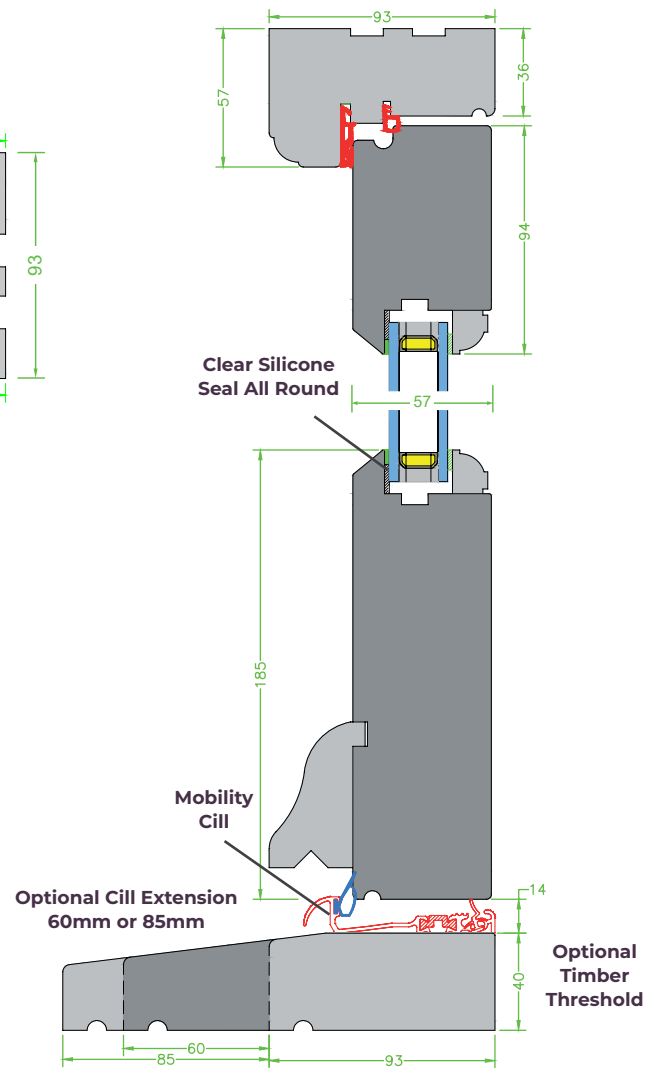
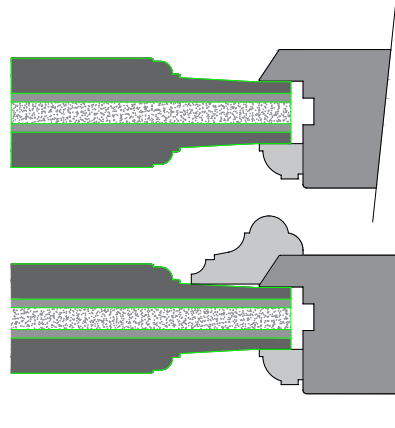
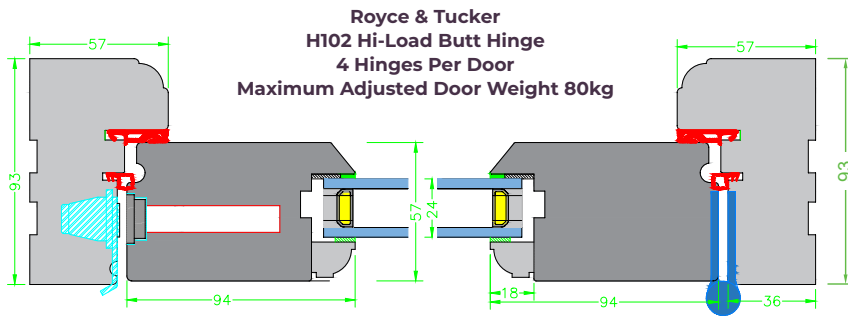
Test Data

BS6375 Part 1	Air Permeability Class 4, Watertightness Class 3 Resistance to Wind Load Class C5
BS6375 Part 2	Operational strength testing - 30,000 cycles windows - Passed
BS6375 Part 3	3 Additional performance characteristics - Passed
Acoustic Rating	RW(C;Ctr) = 36 (-2,6) db (With Sound Control Glass)
Thermal Rating	U-Value 1.4W/m ² K Double Glazed
Security	PAS 24:2022 Class D Timber density of 450 to 530 softwood Secured by Design System



LIGNUM
superior timber
windows & doors

Single Door (Open In)



DUE TO CONTINUED DEVELOPMENT THE JOINERY NETWORK RESERVE THE RIGHT TO MODIFY OR CHANGE SPECIFICATIONS WITHOUT PRIOR NOTICE. THIS DRAWING & SPECIFICATIONS ARE THE PROPERTY OF THE JOINERY NETWORK. THEY ARE ISSUED IN STRICT CONFIDENCE AND SHALL NOT BE REPRODUCED, COPIED OR USED AS THE BASIS FOR MANUFACTURING WITHOUT WRITTEN PERMISSION. ALL MEASUREMENTS ARE FINISHED DIMENSIONS IN MM. DO NOT SCALE DRAWING!

Design Features

- Secured by Design System
- Tested to PAS 24:2022
- Winkhaus Thunderbolt Multipoint Locking
- Internally Beaded for easy installation
- Deventer superior double weatherseals
- Hi load butt hinges
- Thermally enhanced door panels
- Fully suited window & door system

Design Options

- Lambs Tongue or Ovolo sash profile
- 57mm or 68mm wide outerframe
- Slim outerframe and sash options
- Heritage slim-glass unit bead option



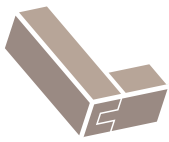
The Joinery Network is authorised as a system house by Secured by Design



Backing Timber Window & Door Manufacturers

The Joinery Network, 2 Jubilee Parkway, Jubilee Business Park, Derby, DE21 4BJ
hello@thejoinerynetwork.co.uk | www.thejoinerynetwork.co.uk | 033 33 44 98 95





LIGNUM

superior timber
windows & doors

Stable Doors (Open In & Out)

Lignum timber Stable doors are available to open either outward or inwards.

The door is energy efficient and features high security multipoint locking.

The flexible inward opening design is suitable for main entrance, side or rear doors. It allows for various glass and

solid panel combinations. This makes it easy to produce almost any style of door.

These doors are only suitable for refurbishment projects as are not as secure are a solid one leaf door that has PAS24:2022 security testing.



PAS 24:2022
Security



1.3W/m²K
U-Value



Document L
Compliant



Document M
Compliant



BS6375-1 Tested to
2015+A1:2016



Double or Triple
Glazing

Specification

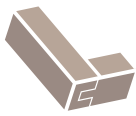
Outer Frame Options	Head & Jambs: 57mm x 93mm Head & Jambs: 68mm x 93mm Head & Jambs: 90mm x 93mm Cill: 40mm x 93mm (Standard) Transom & Mullion: 68/90mm x 93mm
Sash	Top Rail and Stiles: 94mm x 57mm (PAS 24:2016) Bottom Rail: 185mm x 57mm
Sash Profile	Ovolo or Lambs Tongue
Cill Extension Options	Standard, 60mm or 85mm
Glazing	24mm Low E sealed unit (4mm/16mm/4mm) Obscure, sound control, toughened and laminated options available Argon filled cavity, Outer perimeter has standard warm edge spacer (black) optional white Security bead glazing system Additional glazing units include 12mm and 14mm options - not PAS 24 tested Curved glass and units with less than 14mm cavity will have aluminium spacer in place of warm edge spacer

Hardware/Fittings

Hardware	Multipoint lock to top and bottom door leaves. Locking bolt linking the two halves together lock. High Load fixed pin Butt Hinges.
Handles	Polished Chrome, Satin Chrome, Antique Brass, Oil Rubbed Bronze or Brass Finish
Trickle Vent	Can be fitted through head (Concealed)

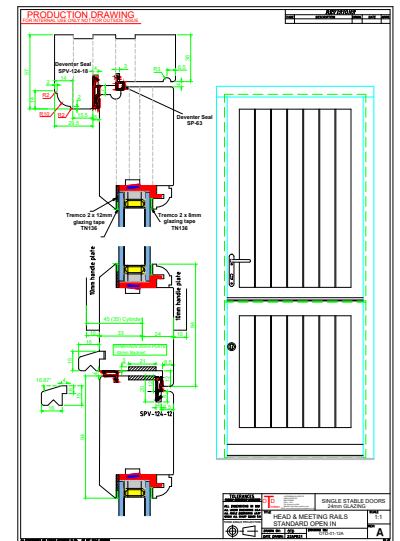
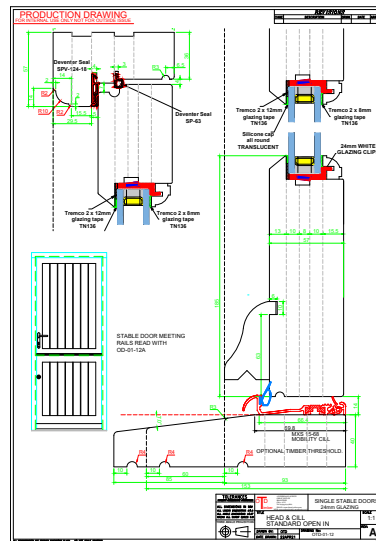
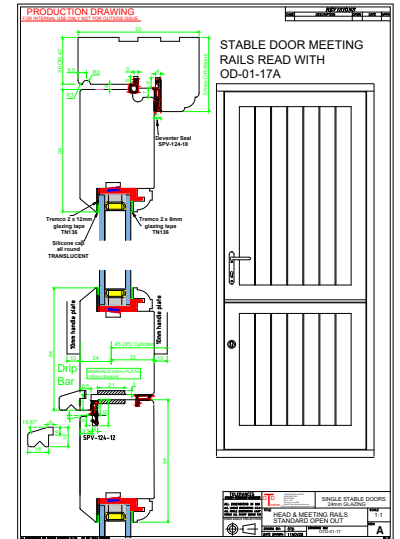
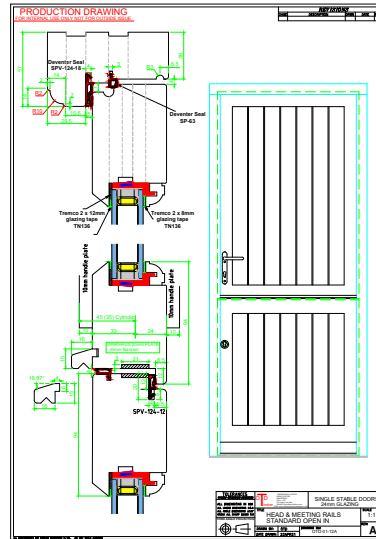
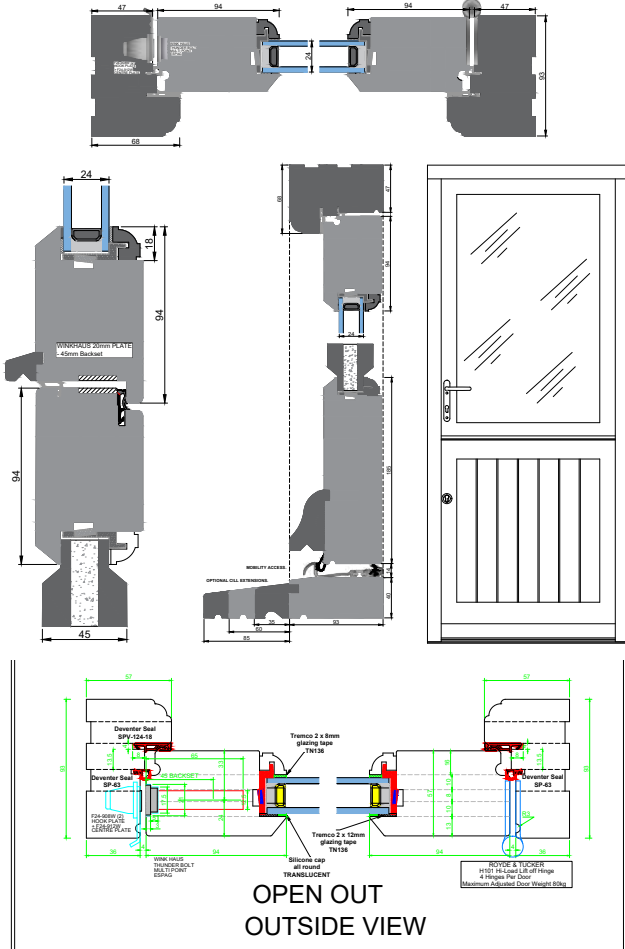
Test Data

Acoustic Rating	RW(C;Ctr) = 36 (-2,6) db (With Sound Control Glass)
Thermal Rating	U-Value 1.3W/m ² K



LIGNUM
superior timber
windows & doors

Stable Doors (Open In & Out)



DUE TO CONTINUED DEVELOPMENT THE JOINERY NETWORK RESERVE THE RIGHT TO MODIFY OR CHANGE SPECIFICATIONS WITHOUT PRIOR NOTICE. THIS DRAWING & SPECIFICATIONS ARE THE PROPERTY OF THE JOINERY NETWORK. THEY ARE ISSUED IN STRICT CONFIDENCE AND SHALL NOT BE REPRODUCED, COPIED OR USED AS THE BASIS FOR MANUFACTURING WITHOUT WRITTEN PERMISSION. ALL MEASUREMENTS ARE FINISHED DIMENSIONS IN MM. DO NOT SCALE DRAWING!

Design Features

- Secured by Design System
- Tested to PAS 24:2022
- Winkhaus Thunderbolt Multipoint Locking
- Internally Beaded for easy installation
- Deventer superior double weatherseals
- Hi load butt hinges
- Thermally enhanced door panels
- Fully suited window & door system

Design Options

- Lambs Tongue or Ovolo sash profile
- 57mm or 68mm wide outerframe
- Slim outerframe and sash options
- Heritage slim-glass unit bead option



The Joinery Network
is authorised as a
system house by
Secured by Design



Backing Timber Window & Door Manufacturers

The Joinery Network, 2 Jubilee Parkway, Jubilee Business Park, Derby, DE21 4BJ

hello@thejoinerynetwork.co.uk | www.thejoinerynetwork.co.uk | 033 33 44 98 95

The Joinery Network